



# EU-TYPE EXAMINATION CERTIFICATE

According to Annex IV, Part A of 2014/33/EU Directive

<b>Certificate No.:</b>	EU-SG 736
<b>Certification Body of the Notified Body:</b>	TÜV SÜD Industrie Service GmbH Westendstr. 199 80686 Munich – Germany Identification No. 0036
<b>Certificate Holder:</b>	G. Schlosser Aufzugtechnologie GmbH Felix-Wankel-Strasse 4 85221 Dachau – Germany
<b>Manufacturer of the Test Sample:</b> (Manufacturer of Serial Production - see Enclosure)	G. Schlosser Aufzugtechnologie GmbH Felix-Wankel-Strasse 4 85221 Dachau – Germany
<b>Product:</b>	Progressive safety gear
<b>Type:</b>	KB 55 S EX
<b>Directive:</b>	2014/33/EU
<b>Reference Standards:</b>	EN 81-20:2014 EN 81-50:2014 EN 81-1:1998+A3:2009 EN 81-2:1998+A3:2009
<b>Test report:</b>	EU-SG 736 of 2016-07-11
<b>Outcome:</b>	The safety component conforms to the essential health and safety requirements of the mentioned Directive as long as the requirements of the annex of this certificate are kept.
<b>Date of Issue:</b>	2016-07-11

Achim Janocha  
Certification Body "lifts and cranes"



**Annex to the EU-Type-Examination Certificate  
No. EU-SG 736 of 2016-07-11**



**1 Scope of application**

1.1 Generally

Following application possibility refer to a brand new pair of safety gear depending on manufacture and condition of the guide rail running surface and maximum rated and tripping speed.

Guide rails to be used

Minimum running surface width 42 mm

Blade width 14 – 32 mm

1.2 Using as a progressive safety gear (acting downwards) - permissible total mass of car and rated load depending on maximum rated and tripping speed

Manufacturing of running surface	Condition guide rail	Max. range of rated speed [m/s]	Max. tripping speed [m/s]	Total mass [kg]
machined	dry	1.64 – 1.91	2.20	5480

**2 Terms and Conditions**

2.1 The identification drawing No. 5272.0000.011 including stamp dated 2016-07-11 shall be included to the EU type-examination for the identification and information of the general construction and operation and distinctness of the approved type.

2.2 The EU type-examination certificate may only be used in combination with the corresponding annex and enclosure (List of authorized manufacturer of the serial production). The enclosure will be updated immediately after any change by the certification holder.

**3 Remarks**

3.1 Pursuant to the comment standard EN 81-50, the total mass determined for adjustment purposes may be 7.5 % higher or lower.

3.2 The progressive safety gear can also be used to a counterweight in compliance with the permissible total mass according table 1.2 of this certificate till permissible tripping speed.

3.3 Examination of compliance with other requirements according standard, reduction of braking forces due to wear-and-tear or alterations to the installation due to the installation's operation such as alterations to the running surfaces of the guide rails, are not part of this type-examination.

3.4 This EU type-examination certificate was issued according to the following standards:

- EN 81-1:1998 + A3:2009 (D), Annex F.3
- EN 81-2:1998 + A3:2009 (D), Annex F.3
- EN 81-20:2014 (D), part 5.6.2.1.1.2
- EN 81-50:2014 (D), part 5.3

A revision of this EU type-examination certificate is inevitable in case of changes or additions of the above mentioned standards or of changes of state of the art.

**Enclosure to the EU Type-Examination Certificate  
No. EU-SG 736 of 2016-07-11**



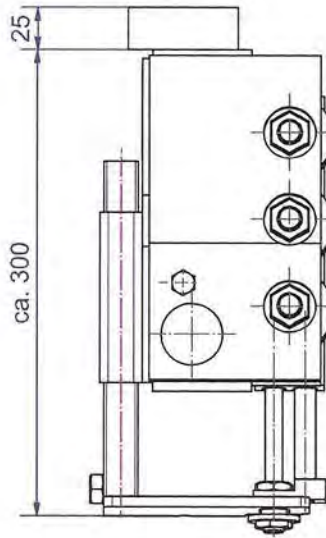
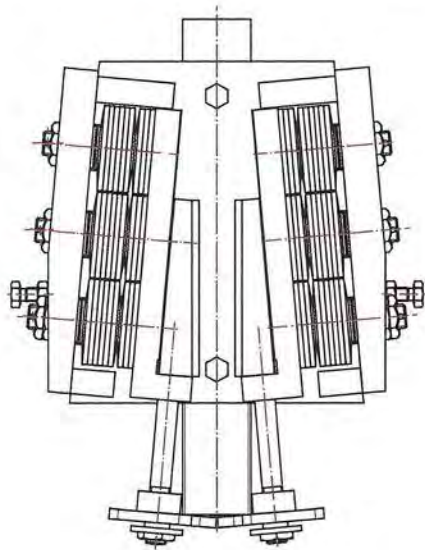
Industrie Service

**Authorised Manufacturer of Serial Production – Production Sites (valid from: 2016-07-11):**

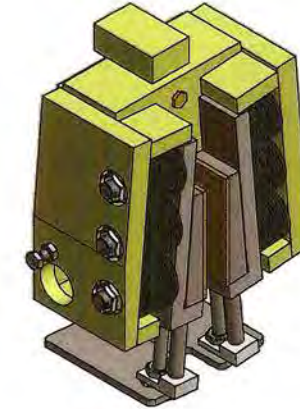
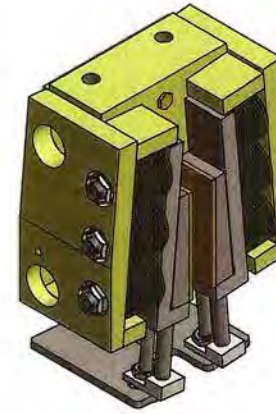
**Company** G. Schlosser Aufzugtechnologie GmbH  
**Address** Felix-Wankel-Strasse 4  
85221 Dachau – Germany

- END OF DOCUMENT -

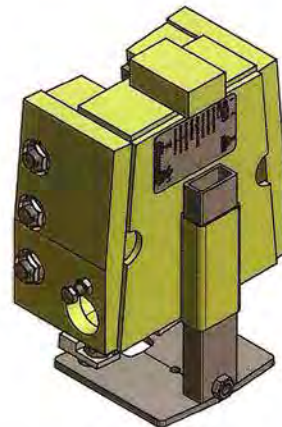
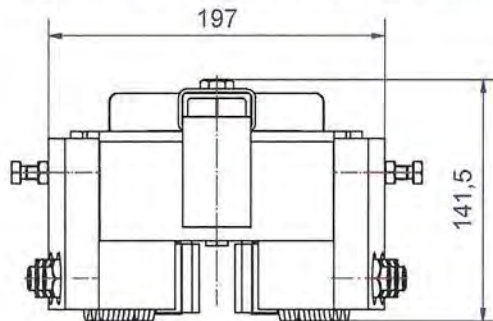




Ansicht 2 Achs-Aufnahme

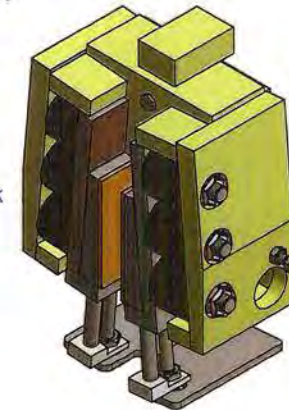


Schienenkoptabhängig dargestellt 16 mm



1 1. JULI 2016

**GEPRÜFT / APPROVED**  
 TÜV SÜD Industrie Service GmbH  
 Prüflaboratorium für Produkte der Fördertechnik  
 Westendstraße 199  
 80688 München  
 Sachverständigen(r) / Expert



Änd.	Kommt vor	Änderungs-Nr.	Änderung	Datum	Gez.	Name	Ges.

**Vertraulich, alle Rechte vorbehalten ISO 16016**

Weitergabe sowie Vervielfältigung dieses Dokuments, Verwertung und Mitteilung seines Inhalts sind verboten, soweit nicht ausdrücklich gestattet. Zuwiderhandlungen verpflichten zu Schadensersatz. Alle Rechte für den Fall der Patent-, Gebrauchsmuster- oder Geschmacksmustereintragung vorbehalten.

Oberflächen	Ra in um	ISO 1302
Allgemeintoleranzen	ISO 13920-BF	
Schweißkonstruktionen		

<b>Aufzugstechnologie Schlosser</b>		Werkstoff	Halbzeug														
Verwendungsbereich		Maßstab im Orig.	Masse(Gewicht)														
EU-SG 736		1:3 (1:4)	18.6 kg														
		Benennung															
<table border="1"> <tr> <th>Datum</th> <th>Name</th> </tr> <tr> <td>Gez. 01.07.2016</td> <td>Martinez</td> </tr> <tr> <td>Gepr. 01.07.2016</td> <td>TS</td> </tr> <tr> <td>Ges.</td> <td> </td> </tr> <tr> <td>Abt.</td> <td> </td> </tr> </table>		Datum	Name	Gez. 01.07.2016	Martinez	Gepr. 01.07.2016	TS	Ges.		Abt.		<b>Massbild KB 55 S EX</b> Dimensioned Drawing KB 55 S Ex					
Datum	Name																
Gez. 01.07.2016	Martinez																
Gepr. 01.07.2016	TS																
Ges.																	
Abt.																	
<table border="1"> <tr> <th>Tolerierung</th> </tr> <tr> <td>ISO 8015</td> </tr> <tr> <td>ISO 2768-mH</td> </tr> </table>		Tolerierung	ISO 8015	ISO 2768-mH	<table border="1"> <tr> <td>AUFZUGSTECHNOLOGIE SCHLOSSER D-85221 Dachau</td> <td>Zeichnungs-Nr.</td> <td>Änd.</td> <td>Blatt</td> </tr> <tr> <td rowspan="2"> </td> <td>5272.0000.011</td> <td> </td> <td>1</td> </tr> <tr> <td> </td> <td> </td> <td>A3</td> </tr> </table>		AUFZUGSTECHNOLOGIE SCHLOSSER D-85221 Dachau	Zeichnungs-Nr.	Änd.	Blatt		5272.0000.011		1			A3
Tolerierung																	
ISO 8015																	
ISO 2768-mH																	
AUFZUGSTECHNOLOGIE SCHLOSSER D-85221 Dachau	Zeichnungs-Nr.	Änd.	Blatt														
	5272.0000.011		1														
			A3														
<small>J:\AA NEUANFANGITUV\KB 55 S EX\5272.0000.011 - KB 55 S EX.lvw</small>																	