

ZERTIFIKAT

CERTIFICADO

‘ΕΡΤΙΤΤΑΤ

認証証書

CERTIFICATE

ZERTIFIKAT

EC-type examination certificate



Certificate no.: AFV 333/2

Notified body: TÜV Süddeutschland Bau und Betrieb GmbH
Zertifizierungsstelle
für Aufzüge und Sicherheitsbauteile
Westendstraße 199, D-80686 München

**Applicant/
Certificate holder:** Schlosser Aufzugtechnologie GmbH
Felix - Wankel - Straße 4
D-85221 Dachau

Date of submission: 1999-04-16

Manufacturer: Schlosser Aufzugtechnologie GmbH
Felix - Wankel - Straße 4
D-85221 Dachau

Product, type: Progressive safety gear, type KB 55

Test Laboratory: TÜV Süddeutschland Bau und Betrieb GmbH
Abteilung Aufzüge und Sicherheitsbauteile
Westendstraße 199, D-80686 München

**Date and
Number of test report:** 1999-04-20
333/2

EC-directive: 95 / 16 / EC

Statement: The safety component conforms to the directive's
safety requirements for the respective scope of
application stated on page 1 of the annex to this
EC type-examination certificate.

Certificate date: 2002-08-07 (German version 1999-04-20)

Zertifizierungsstelle für Aufzüge und Sicherheitsbauteile
Identification number: 0036


Peter Tkalec



Annex to the EC type-examination certificate No. AFV 333/2 dated 2002-08-07

1. Scope of Application

- 1.1 Permissible total mass of car and rated load or counterweight in using one pair of safety gears, depends on maximum tripping speed of the overspeed governor, the manufacture and the condition of the guide rails running surface

Max. tripping speed (m/s)	Manufactured by condition	Total mass (kg) min. - max.
1,50	machined dry or oiled*	2620 - 9100
3,83	machined dry or oiled*	2620 - 6300
5,06	machined dry	2620 - 5146
2,63	drawn dry or oiled*	4000 - 5800
3,23	drawn dry or oiled*	4000

*Mineral oils without additives (e.g. lubricating oils C according to DIN 51517 part 1)

For the intermediate values of the maximum tripping speed of 1,50 - 3,83, 3,83 - 5,06 and 2,63 - 3,23 m/s the corresponding maximum total mass can be determined through linear interpolation in the range of 9100 - 6300, 6300 - 5146 and 5800 - 4000 kg.

- 1.2 Maximum tripping speed of overspeed governor and range of maximum rated speed

Maximum tripping speed (m/s)	1,5	3,83	5,06	2,63	3,23
Maximum rated speed (m/s)	1,20 - 1,30	3,06 - 3,33	4,04 - 4,4	2,10 - 2,29	2,58 - 2,8

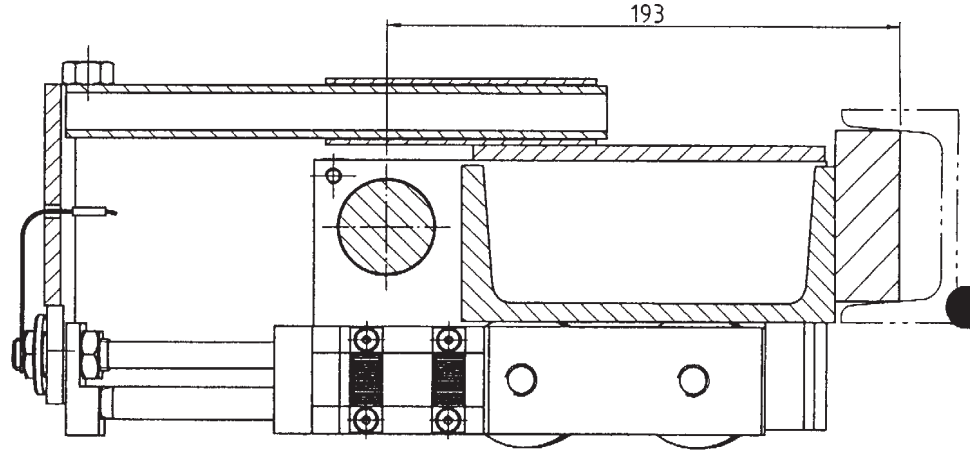
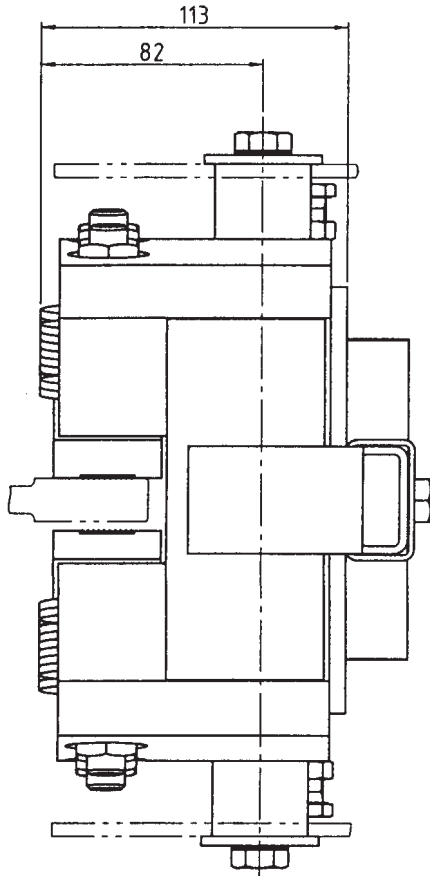
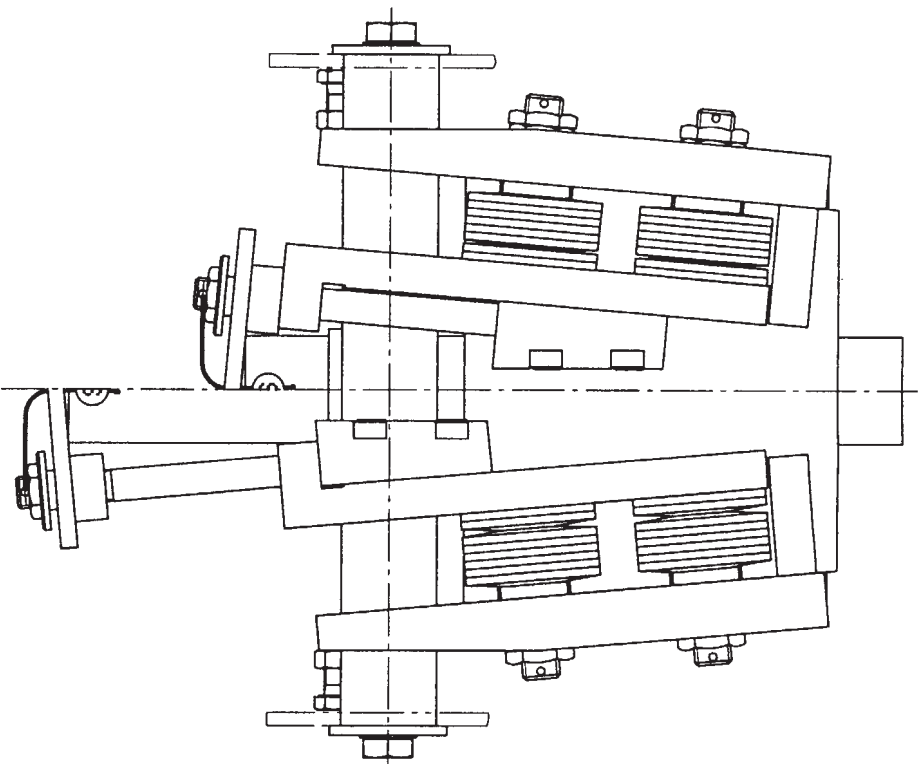
- 1.3 Guide rails to be used

1.3.1 Blade width 9 - 31,75 mm

1.3.2 Minimum running surface width 32 mm

2. Remarks

- 2.1 Pursuant to the standard EN 81, annex F, paragraph 3, section 3.4. a) 2) the total mass of the progressive safety gear determined for adjustment purposes may be 7,5% higher or lower.
- 2.2 In order to provide identification and information about the basic design and its functioning and to show which parts have been tested of the approved type drawing no. 5260.600.000 dated 12 April 1999 is to be enclosed with the EC type-examination certificate and the annex thereto. The environmental conditions and connection requirements of the safety gear are presented or described in separate documents. (e.g. operating instructions).
- 2.3 The EC type - examination certificate may only be used in connection with the pertinent annex.



20. APR. 1999

- GEPÜFT -
 TÜV Bau- und Betriebstechnik GmbH
 Unternehmensgruppe TÜV Süddeutschland
 Regler Bg/Bm
 Zentralabteilung Anträge und Sicherheitsbourneile
 Der Sachverständige
[Signature]

Verwendungsbereich		Freimaßtoleranz DIN 7168 mittel		Oberfläche	
Zust. Änderung		Datum		Name	
Datum		Name		Gewicht kg/l	
EDV-Nr.		Datum		Name	
Bearb.		12.04.99		R. Wörmann	
Gepr.					
Norm					
AUFZUGTECHNOLOGIE					
SCHLOSSER					
D-85221 Dachau					
Teil-Nr. / Zeichnungs-Nr.		5260.600.000		FANGVORRICHTUNG KB 55	
SAFETY GEAR KB 55		Werkstoff-Nr.		Werkstoff	
B Blatt		81			