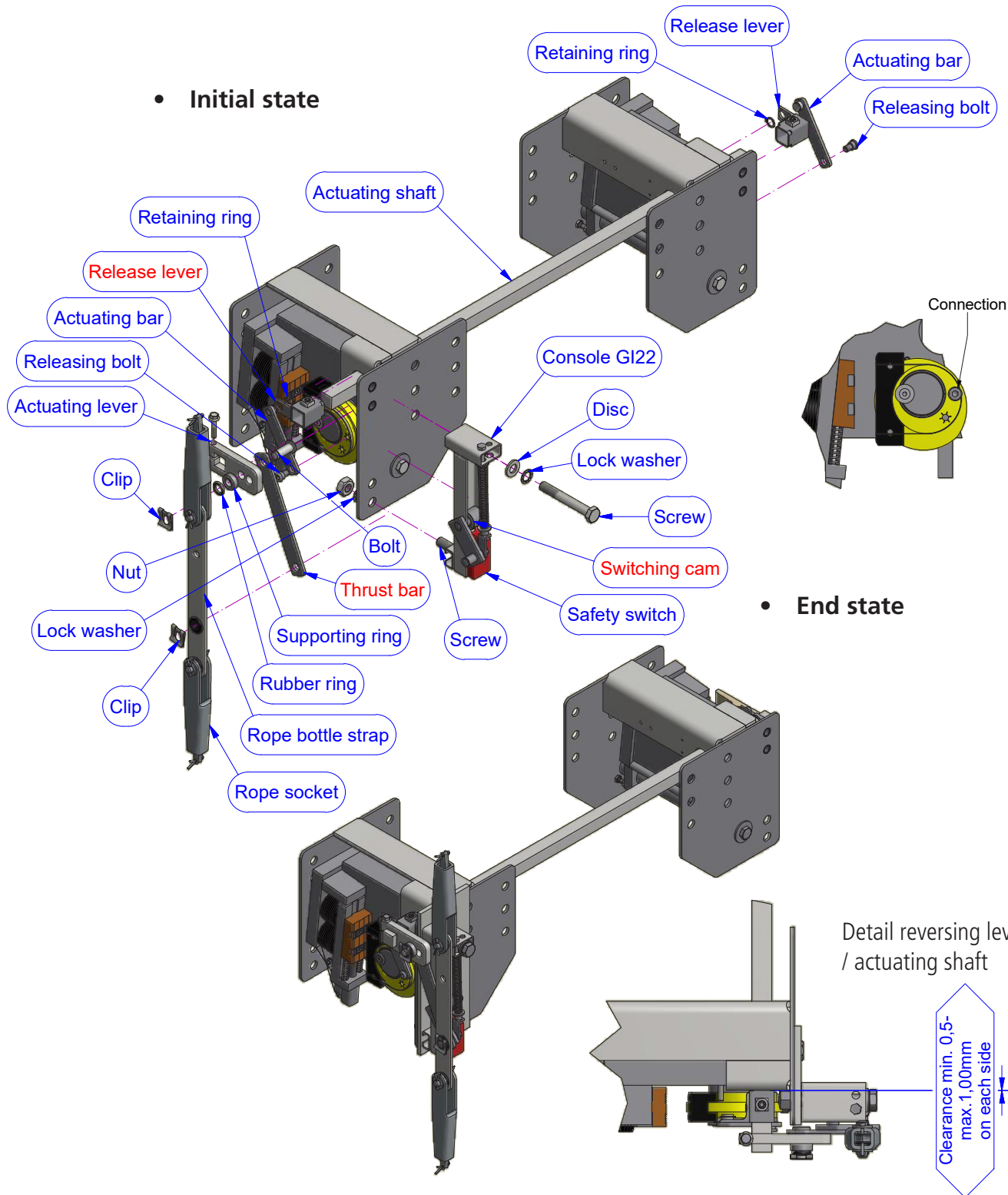


Assembly actuating gear GI22 EB75GS



• Initial state



• End state

Assembly actuating gear GI22 EB75GS

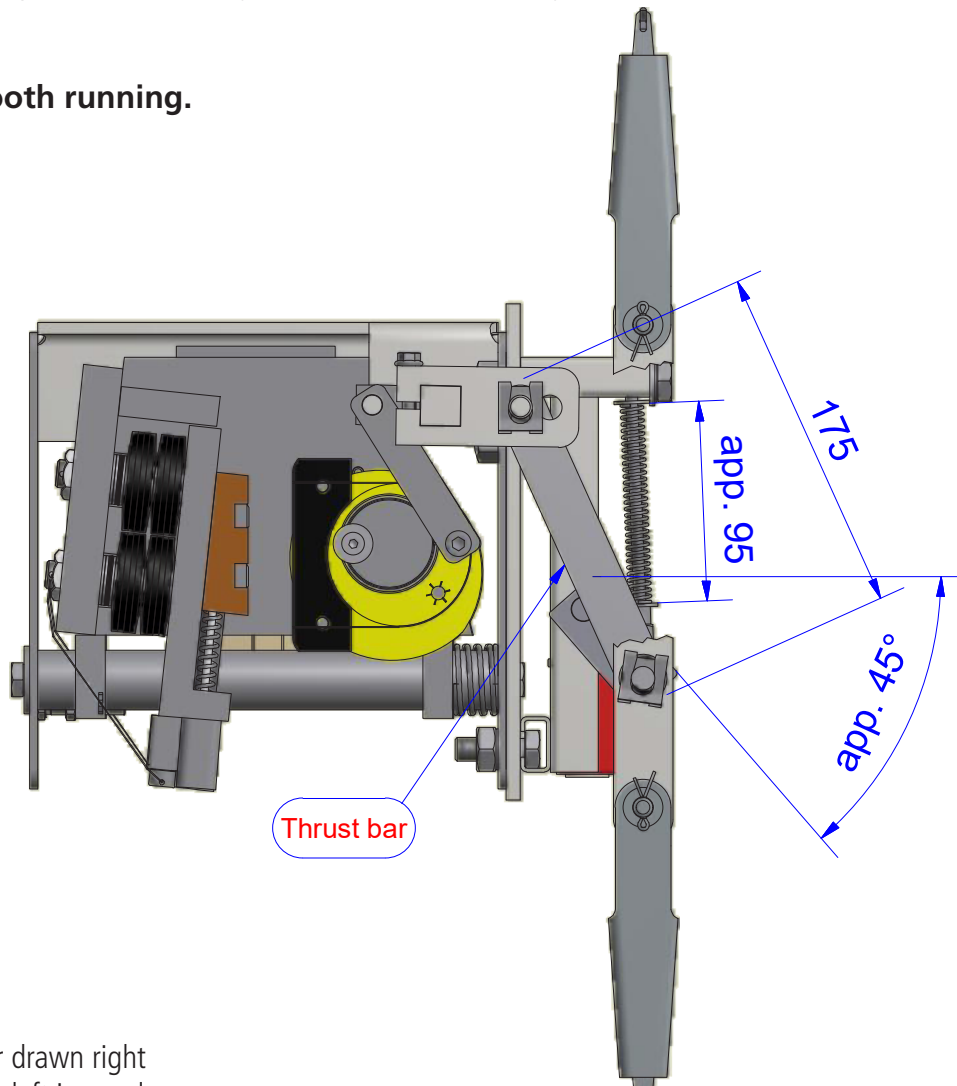


Actuating gear GI22:

Hook in thrust bar „175“ and set/adjust screw M6x130 (spring) up to the indicated dimensions (notes!) and lock. **Avoid dead centre settings urgently!**

Set the switching cam in such a way, that it activates the safety switch, before the double eccentric engages on the rail.

Ensure smooth running.



Actuating gear drawn right
Actuating gear left inversely

Conversion is carried out by moving the screw M6x130 to the second bore holder - conversion of all other positions is inevitable.