



EU-TYPE EXAMINATION CERTIFICATE

According to Annex IV, Part A of 2014/33/EU Directive

Certificate No.:	EU-SG 289
Certification Body of the Notified Body:	TÜV SÜD Industrie Service GmbH Westendstr. 199 80686 Munich – Germany Identification No. 0036
Certificate Holder:	G. Schlosser Aufzugtechnologie GmbH Felix-Wankel-Strasse 4 85221 Dachau – Germany
Manufacturer of the Test Sample: (Manufacturer of Serial Production - see Enclosure)	G. Schlosser Aufzugtechnologie GmbH Felix-Wankel-Strasse 4 85221 Dachau – Germany
Product:	Progressive safety gear, braking device as part of the protection device against overspeed for the car moving in upwards direction
Type:	EB 75 GS
Directive:	2014/33/EU
Reference Standards:	EN 81-20:2014 EN 81-50:2014 EN 81-1:1998+A3:2009 EN 81-2:1998+A3:2009
Test report:	EU-SG 289 of 2016-12-12
Outcome:	The safety component conforms to the essential health and safety requirements of the mentioned Directive as long as the requirements of the annex of this certificate are kept.
Date of Issue:	2017-01-09


Achim Janocha

Certification Body "lifts and cranes"



**Annex to the EU-Type Examination Certificate
No. EU-SG 289 of 2017-01-09**



Industrie Service

1 Scope of application

1.1 Generally

Both following application possibilities refer to a brand new pair of safety gear depending on manufacture and condition of the guide rail running surface and maximum rated and tripping speed. The safety component can fulfil optionally two security features according 1.2 and 1.3.

Guide rails to be used

Minimum running surface width 32 mm

Blade width 9 – 31.8 mm

Notes:

* Mineral oils without additives (e.g. lubricating oils C according DIN 51517, part 1)

1.2 Using as a progressive safety gear (acting downwards) - permissible total mass of car and rated load depending on maximum rated and tripping speed

Manufacturing of running surface	Condition guide rail	Max. range of rated speed [m/s]	Max. tripping speed [m/s]	Total mass [kg] min. – max.
drawn	dry or oiled*	2.10 – 2.29	2.63	1650 – 4300
machined	dry or oiled*	2.10 – 2.29	2.63	1550 – 4800
drawn or machined	dry or oiled*	3.06 – 3.33	3.83	1530 – 4000

1.3 Using as a braking device - part of the protection device against overspeed for the car moving in upwards direction (acting upwards) - permissible brake forces

Manufacturing of running surface	Condition guide rail	Max. tripping speed [m/s]	Brake force [N] min. – max.
drawn	dry or oiled*	2.63	25898 – 67493
machined	dry or oiled*	2.63	24329 – 75341
drawn or machined	dry or oiled*	3.83	24015 – 62784

2 Terms and Conditions

2.1 Above mentioned safety component represents only a part at the protection device against overspeed for the car moving in upwards direction. Only in combination with a detecting and triggering component in accordance with the standard (two separate components also possible), which must be subjected to an own type-examination, can the system created fulfil the requirements for a protection device.

**Annex to the EU-Type Examination Certificate
No. EU-SG 289 of 2017-01-09**



Industrie Service

- 2.2 The forces acting on the guide rails shall be safety absorbed.
- 2.3 Mass configuration of the lift installation with regard to the permissible total mass and braking forces to be construed in a way that comply with the valid values of deceleration according standard EN 81-20 based on safety function (e.g. deceleration of the empty car in up direction not more than $1g_n$).
- 2.4 The installer of the complete lift must create an examination instruction to fulfil the overall concept of the protection device, add it to the lift documentation and provide any necessary tools or measuring devices, which allow a safe examination (e. g. with closed landing doors).
- 2.5 The identification drawing No. 5250.0000.012 and / or 5250.0000.112 including stamp dated 2016-12-12 shall be included to the EU type-examination for the identification and information of the general construction and operation and distinctness of the approved type.
- 2.6 The EU type-examination certificate may only be used in combination with the corresponding annex and enclosure (List of authorized manufacturer of the serial production). The enclosure will be updated immediately after any change by the certification holder.

3 Remarks

- 3.1 Pursuant to the comment standard EN 81-50, the total mass determined for adjustment purposes may be 7.5 % higher or lower.
- 3.2 The progressive safety gear can also be used to a counterweight in compliance with the permissible total mass or brake force according table 1.2 or 1.3 of this certificate till permissible tripping speed.
- 3.3 Examination of compliance with other requirements according standard, reduction of braking forces due to wear-and-tear or alterations to the installation due to the installation's operation such as alterations to the running surfaces of the guide rails, are not part of this type-examination.
- 3.4 This EU type-examination certificate was issued according to the following standards:
 - EN 81-1:1998 + A3:2009 (D), Annex F.3 and F.7
 - EN 81-2:1998 + A3:2009 (D), Annex F.3
 - EN 81-20:2014 (D), part 5.6.2.1.1.2 and part 5.6.6.11
 - EN 81-50:2014 (D), part 5.3 and 5.7

A revision of this EU type-examination certificate is inevitable in case of changes or additions of the above mentioned standards or of changes of state of the art.

**Enclosure to the EU Type-Examination Certificate
No. EU-SG 289 of 2017-01-09**

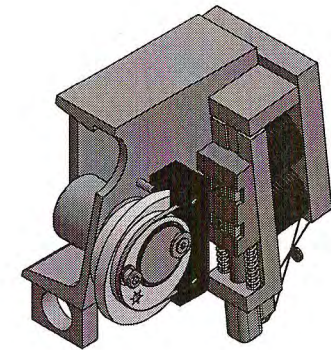
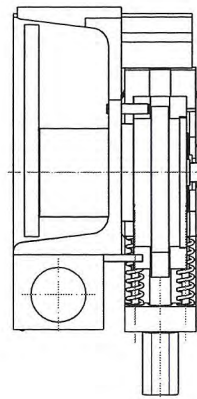
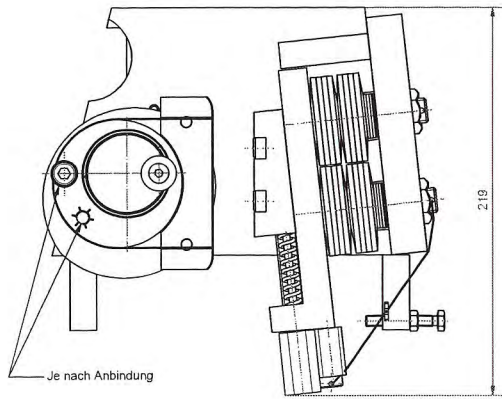


Industrie Service

Authorised Manufacturer of Serial Production – Production Sites (valid from: 2017-01-09):

Company G. Schlosser Aufzugtechnologie GmbH
Address Felix-Wankel-Strasse 4
85221 Dachau – Germany

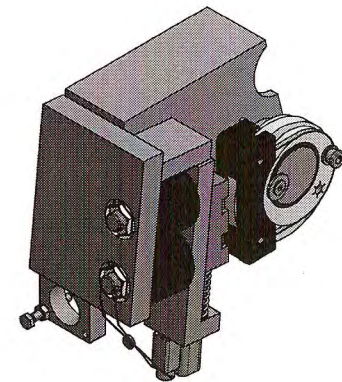
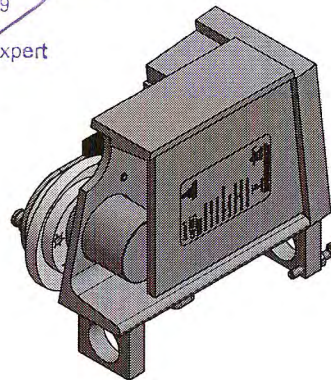
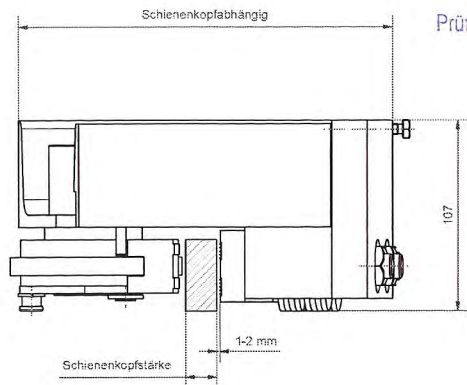
- END OF DOCUMENT -



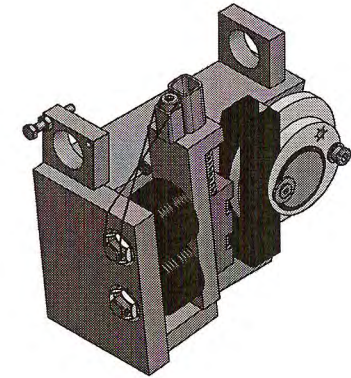
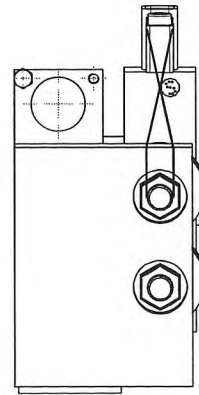
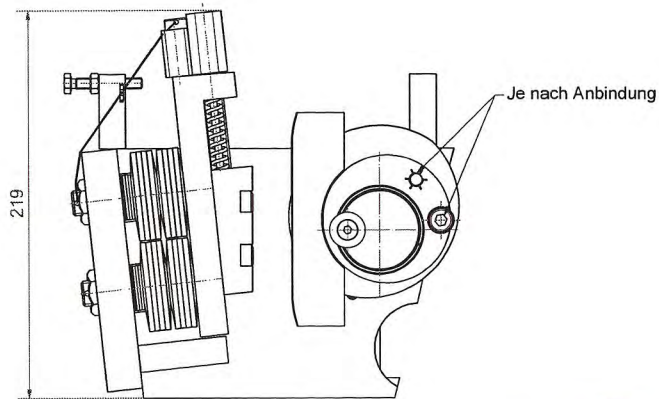
Dargestellt als abwärts wirkend

1 2. DEZ. 2016

GEPRÜFT / APPROVED
 TÜV SÜD Industrie Service GmbH
 Prüflaboratorium für Produkte der Fördertechnik
 Westendstraße 199
 80688 München
 Sachverständige(r) / Expert



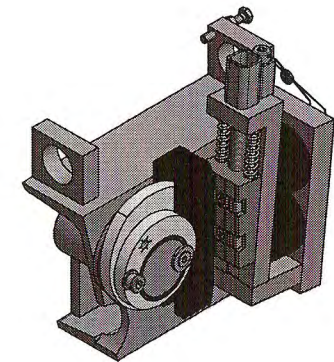
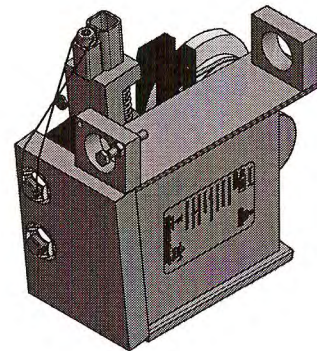
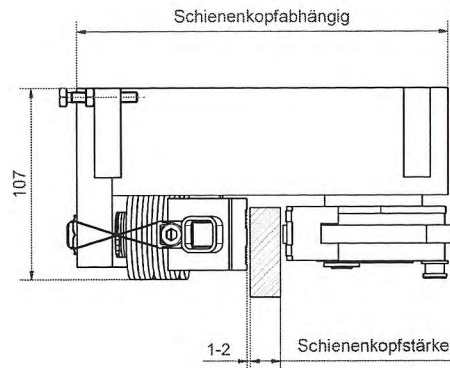
				Aufzugtechnologie Schlosser			Verwendungsbereich EU-SG 289 abwärts wirkend		Werkstoff Halbzeug	
				Maße in mm			Maßstab im Orig. 1:2,5 (1:2)		Masse (Gewicht) 10,6 kg	
				Tolerierung ISO 8015 ISO 2768-mH			Benennung Massbild EB 75 GS Dimensioned Drawing EB 75 GS		Zeichnungs-Nr. 5250.0000.012	
				Verträglichkeit			Abt. AUFZUGTECHNOLOGIE SCHLOSSER D-85271 Dornau		Änd. 1 A2	
				Oberflächen Ra in µm ISO 1302			Allgemeintoleranzen Schweißstrukturen ISO 13020-BF		JWA NEUANFANGTUV/EB 75 GS/250.0000.012/EB 75 GS-abwärts, üw	
				Vertraulich, alle Rechte vorbehalten ISO 16016 Weitergabe sowie Vervielfältigung dieses Dokuments, Verwertung und Mitteilung seines Inhalts sind verboten, soweit nicht ausdrücklich gestattet. Zuwiderhandlungen verpflichten zu Schadensersatz. Alle Rechte für den Fall der Patent-, Gebrauchsmuster- oder Geschmacksmarkenregistrierung vorbehalten.						



1 2. DEZ. 2016

GEPRÜFT / APPROVED
 TÜV SÜD Industrie Service GmbH
 Prüflaboratorium für Produkte der Forstechnik
 Westendstraße 199
 80686 München
 Sachverständigen / Expert

Dargestellt als aufwärts wirkend



						Aufzugstechnologie Schlosser																											
						Verwendungsbereich EU-SG 289 aufwärts wirkend		Werkstoff Halbzeug																									
						Maße in mm		Maßstab im Orig. 1:2 (1:2,5) Masse (Gewicht) 10.7 kg																									
						<table border="1"> <tr> <th>Datum</th> <th>Name</th> </tr> <tr> <td>21.11.2016</td> <td>Martinez</td> </tr> <tr> <td>07.12.2016</td> <td>HTS</td> </tr> </table>		Datum	Name	21.11.2016	Martinez	07.12.2016	HTS	Benennung Massbild EB 75 GS Dimensioned Drawing EB 75 GS																			
Datum	Name																																
21.11.2016	Martinez																																
07.12.2016	HTS																																
<table border="1"> <tr> <th>And.</th> <th>Kommentar</th> <th>Änderungs-Nr.</th> <th>Änderung</th> <th>Datum</th> <th>Gez.</th> <th>Name</th> <th>Ges.</th> </tr> <tr> <td> </td> <td> </td> <td> </td> <td> </td> <td> </td> <td> </td> <td> </td> <td> </td> </tr> </table>						And.	Kommentar	Änderungs-Nr.	Änderung	Datum	Gez.	Name	Ges.									<table border="1"> <tr> <td colspan="2"> Vertraulich, alle Rechte vorbehalten ISO 16016 <small>Wiedergabe sowie Vervielfältigung dieses Dokuments, Verwertung und Mitteilung seines Inhalts sind verboten, soweit nicht ausdrücklich gestattet. Zuwiderhandlungen verpflichten zu Schadenersatz. Alle Rechte für den Fall der Patent-, Gebrauchsmuster- oder Geschmacksmusterertragung vorbehalten.</small> </td> <td colspan="2"> Oberflächen Ra in um ISO 1302 Allgemeintoleranzen Schweißkonstruktionen ISO 1302-BF </td> </tr> </table>		Vertraulich, alle Rechte vorbehalten ISO 16016 <small>Wiedergabe sowie Vervielfältigung dieses Dokuments, Verwertung und Mitteilung seines Inhalts sind verboten, soweit nicht ausdrücklich gestattet. Zuwiderhandlungen verpflichten zu Schadenersatz. Alle Rechte für den Fall der Patent-, Gebrauchsmuster- oder Geschmacksmusterertragung vorbehalten.</small>		Oberflächen Ra in um ISO 1302 Allgemeintoleranzen Schweißkonstruktionen ISO 1302-BF		<table border="1"> <tr> <td colspan="2"> Zeichnungs-Nr. 5250.0000.112 </td> <td colspan="2"> And. Blatt 1 1 Az </td> </tr> </table>		Zeichnungs-Nr. 5250.0000.112		And. Blatt 1 1 Az	
And.	Kommentar	Änderungs-Nr.	Änderung	Datum	Gez.	Name	Ges.																										
Vertraulich, alle Rechte vorbehalten ISO 16016 <small>Wiedergabe sowie Vervielfältigung dieses Dokuments, Verwertung und Mitteilung seines Inhalts sind verboten, soweit nicht ausdrücklich gestattet. Zuwiderhandlungen verpflichten zu Schadenersatz. Alle Rechte für den Fall der Patent-, Gebrauchsmuster- oder Geschmacksmusterertragung vorbehalten.</small>		Oberflächen Ra in um ISO 1302 Allgemeintoleranzen Schweißkonstruktionen ISO 1302-BF																															
Zeichnungs-Nr. 5250.0000.112		And. Blatt 1 1 Az																															
<small>J:\AA\NEU\ANFANG\TUV\EB 75 GS\5250.0000.112-EB 75 GS-aufwärts.idw</small>																																	