



Industrie Service

EC type-examination certificate

Certificate no.: AFV 735/1
Notified body: TÜV SÜD Industrie Service GmbH
 Zertifizierungsstelle für Aufzüge und Sicherheitsbauteile
 Westendstrasse 199
 80686 München - Germany
**Applicant/
 Certificate holder:** Aufzugstechnologie Schlosser GmbH
 Felix-Wankel-Strasse 4
 85221 Dachau - Germany
Date of submission: 2008-01-17
Manufacturer: Aufzugstechnologie Schlosser GmbH
 Felix-Wankel-Strasse 4
 85221 Dachau - Germany
Product: Progressive safety gear
Type: KB 55 SS
Test laboratory: TÜV SÜD Industrie Service GmbH
 Abteilung Aufzüge und Sicherheitsbauteile
 Westendstrasse 199
 80686 München - Germany
**Date and number
 of test report:** 2008-04-03
 735/1
EC-Directive: 95 / 16 / EC
Statement: The safety component conforms to the directive's essential
 safety requirements for the respective scope of application
 stated on page 1 of the annex to this EC type-examination
 certificate
Certificate date: 2008-04-04

Zertifizierungsstelle für Aufzüge und Sicherheitsbauteile
 EC-Identification number: 0036

S. Melzer

p.p. Siegfried Melzer





**Annex to the EC type-examination certificate
no. AFV 735/1 dated 2008-04-04**

1. Scope of Application

- 1.1 Permissible total mass of car and rated load or counterweight in using one pair of safety gears depends on maximum tripping speed of the overspeed governor

Maximum tripping speed (m/s)	Total mass (kg) min. – max.
1,50	9047 – 15509

- 1.2 Maximum tripping speed of overspeed governor and range of maximum rated speed

Max. tripping speed (m/s)	1,50
Max. rated speed (m/s)	1,00 - 1,30

- 1.3 Guide rails to be used

1.3.1 Manufacture of the running surface machined

1.3.2 Condition of the running surface dry or oiled*

*Mineral oils without additives (e.g. lubricating oils C according to DIN 51517 part 1)

1.3.3 Minimum running surface width 35 mm

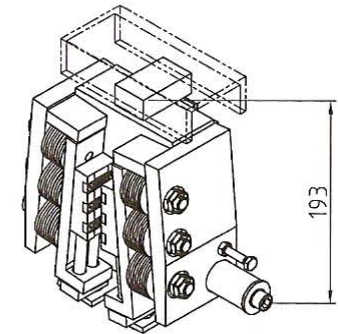
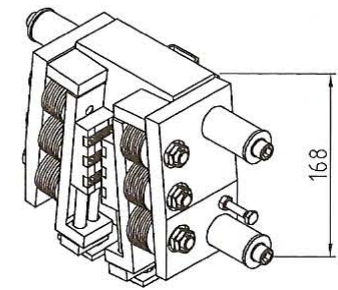
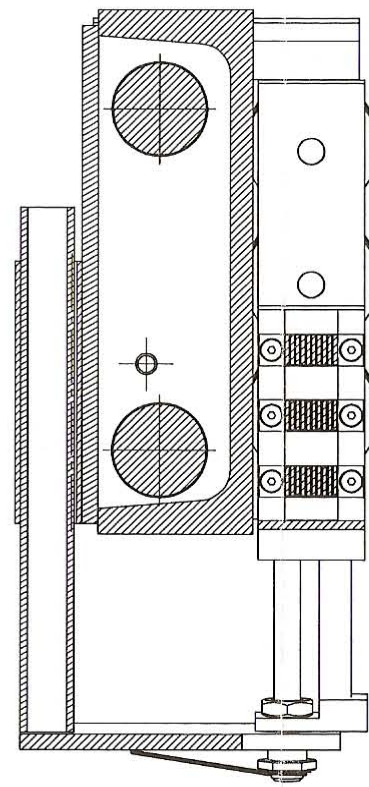
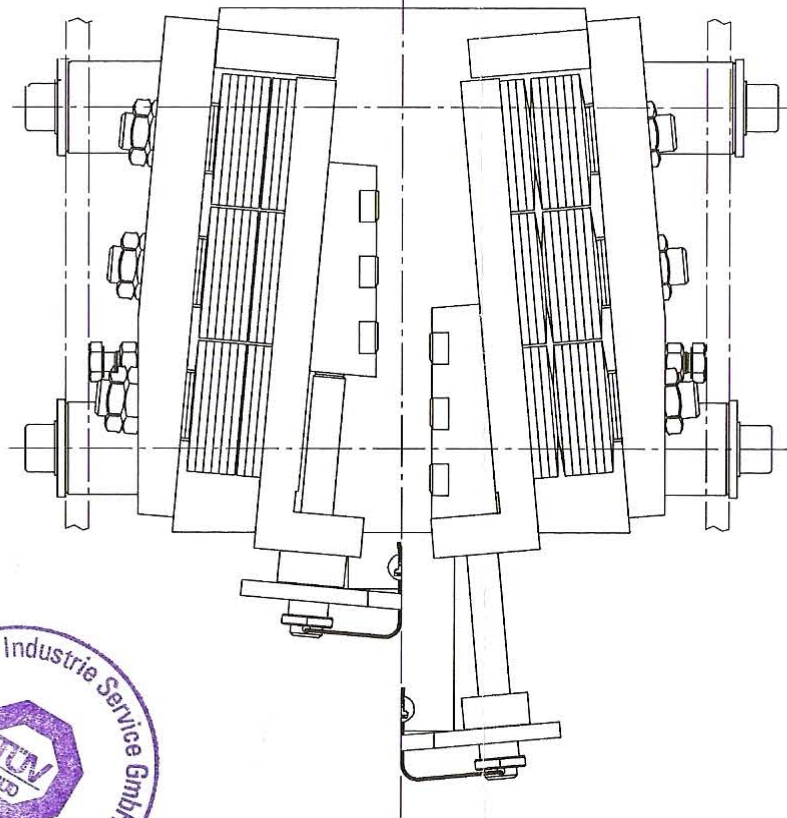
1.3.4 Blade width 9 – 31.80 mm

2. Remarks

2.1 Pursuant to the standard EN 81, annex F, paragraph 3, section 3.4. a) 2) the total mass of the progressive safety gear determined for adjustment purposes may be 7.5 % higher or lower.

2.2 In order to provide identification and information about the basic design and its functioning and to show the environmental conditions and connection requirements pertaining to the tested and approved type, and to define which parts have been tested, drawing no. 5275.600.000 dated 07 November 2003 is to be enclosed with the EC type-examination certificate and the annex thereto. The environmental conditions and connection requirements of the safety gear are represented respectively described in separate documents (e.g. operating instruction).

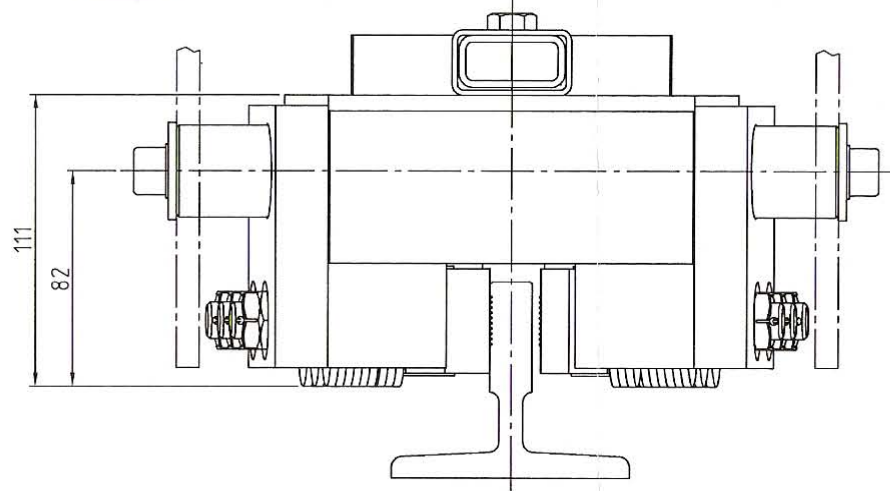
2.3 The EC type-examination certificate may only be used in connection with the pertinent annex.



- GEPRÜFT -
 TÜV SÜD Industrie Service GmbH
 Zentralbereich Fördertechnik-Sonderbauten
 Abteilung Aufzüge und Sicherheitsbauteile
 Westendstr. 199, D-80686 München
 Der Sachverständige

4. APR. 2008

[Handwritten signature]



Verwendungsbereich KB 55 SS mit 1 (2) Tragbolzen KB 55 SS with 1 (2) Kingpins) abwärtswirkend down operatively	Freimaßtoleranz DIN 7168 mittel	Oberfläche	Maßstab 1:2		Position	Menge	
			Halbzeug	Werkstoff			
			Werkstoff-Nr.		Gewicht (kg)		
			Datum	Name			
			Bearb. 07.11.2003	Ettl			
			Gepr. 07.11.2003	SCT			
			Norm				
							Blatt
							Teile-Nr. / Zeichnungs-Nr.
Zust.	Änderung	Datum	Name	EDV Nr.	5275.600.000		