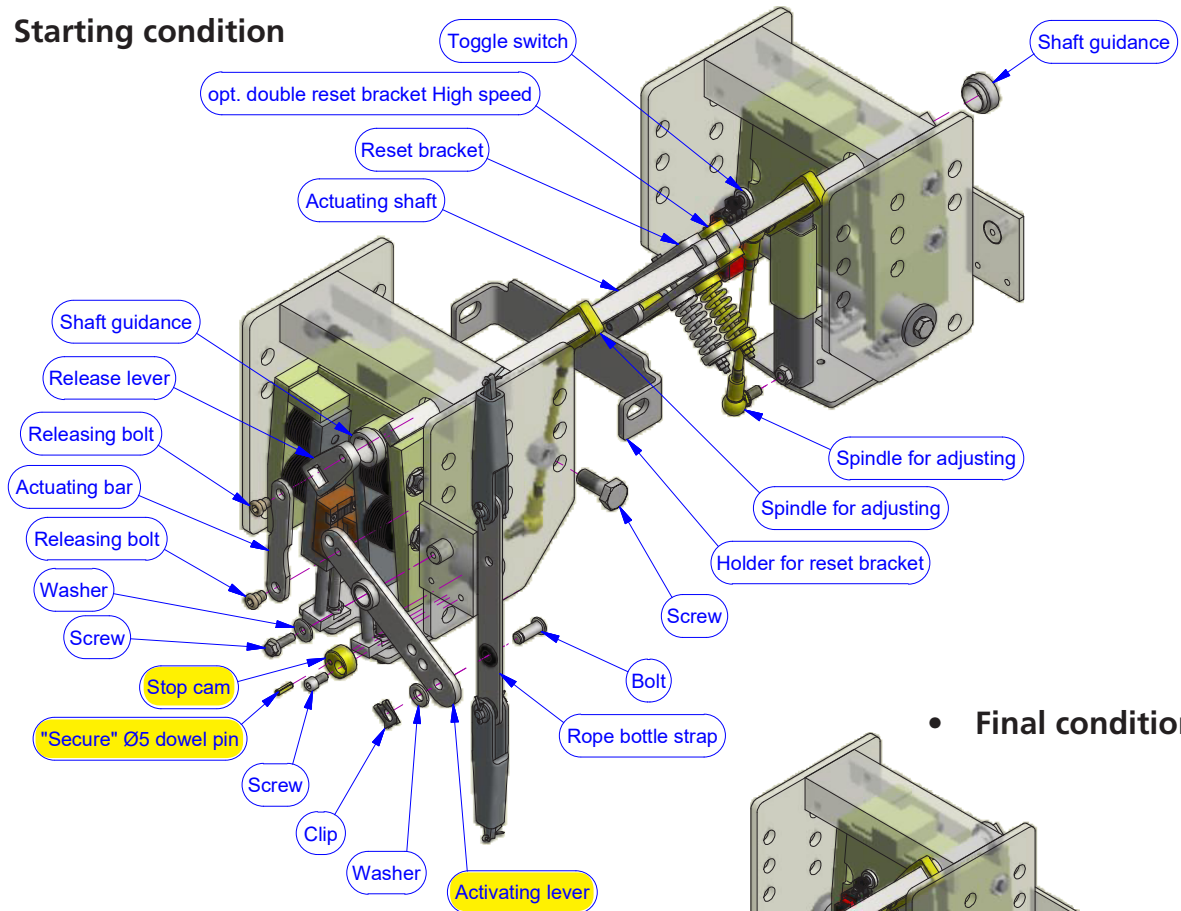


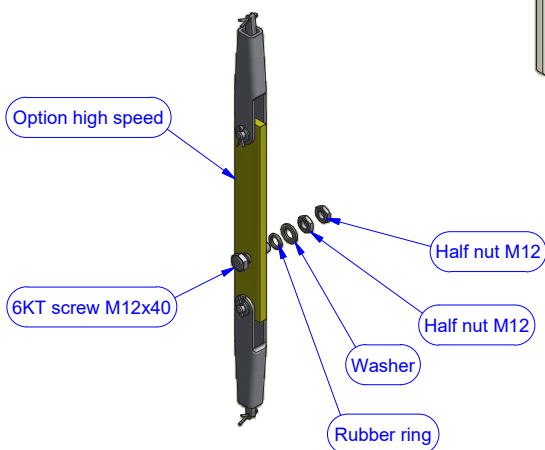
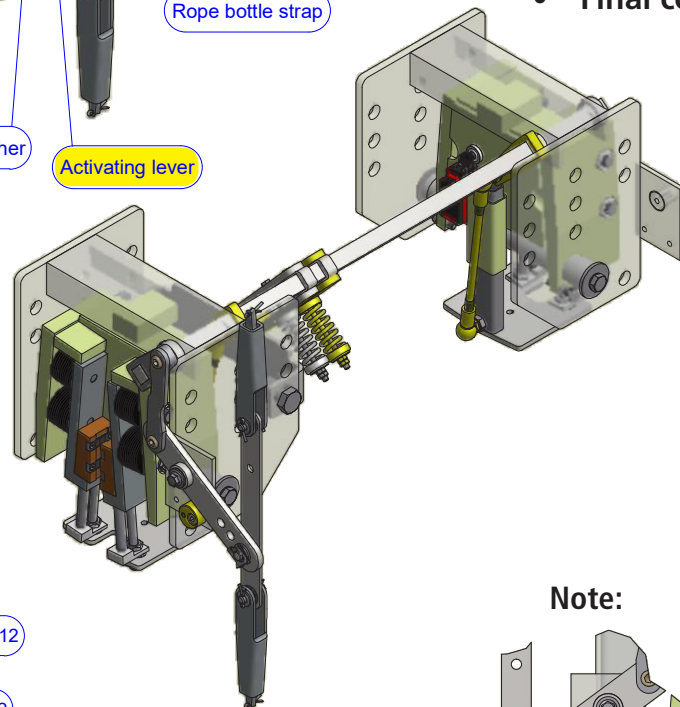
# Assembly of actuating gear KB55/S/SS



## Starting condition



## Final condition



### Note:

After complete adjustment of the release mechanism, set the stop cam to the actuating lever and fix it, secure with Ø5mm dowel pin!

