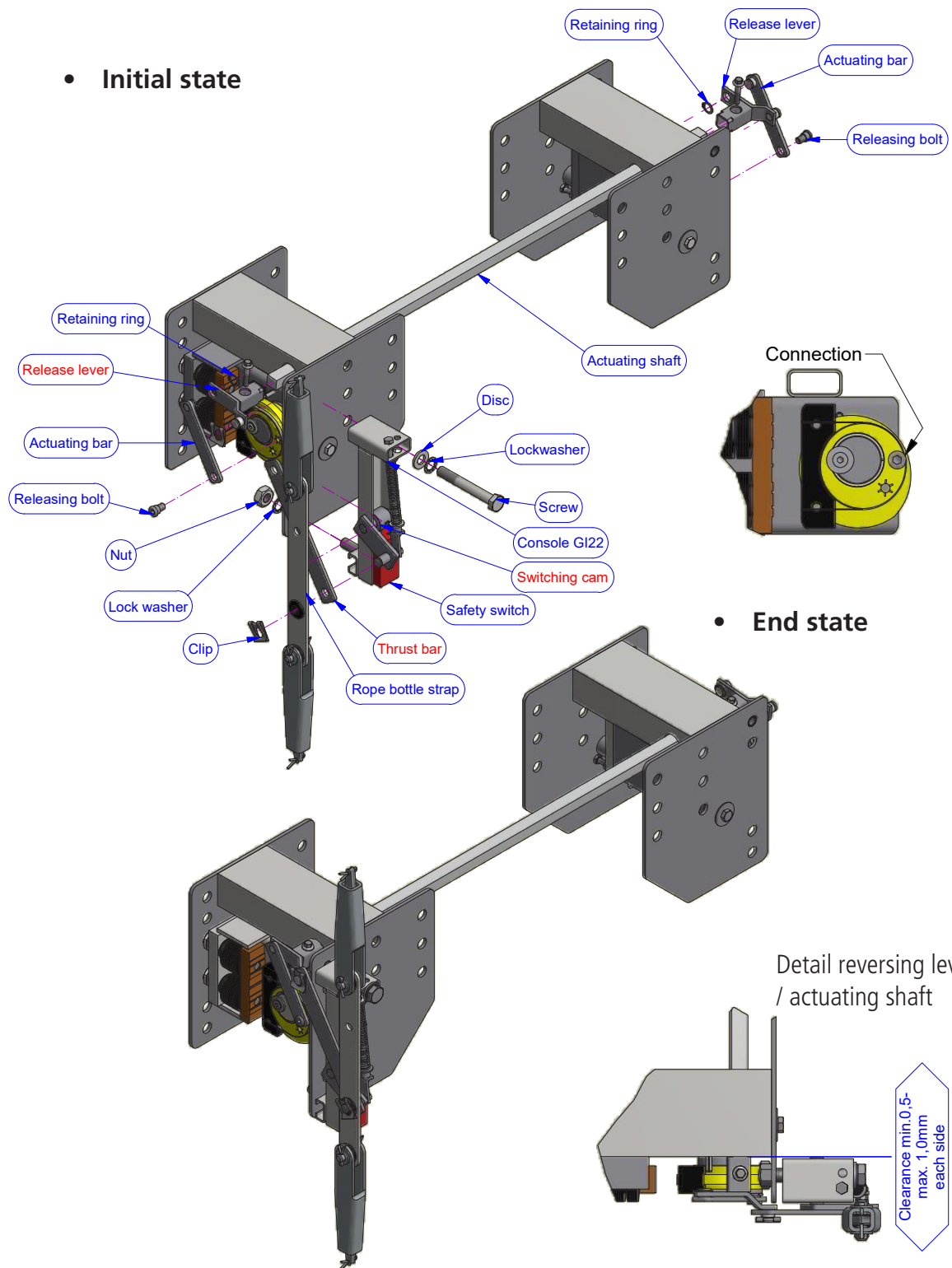


# Assembly actuating gear GI22 EB59K, EB75KS



## • Initial state



## • End state

# Assembly actuating gear GI22 EB59K, EB75KS

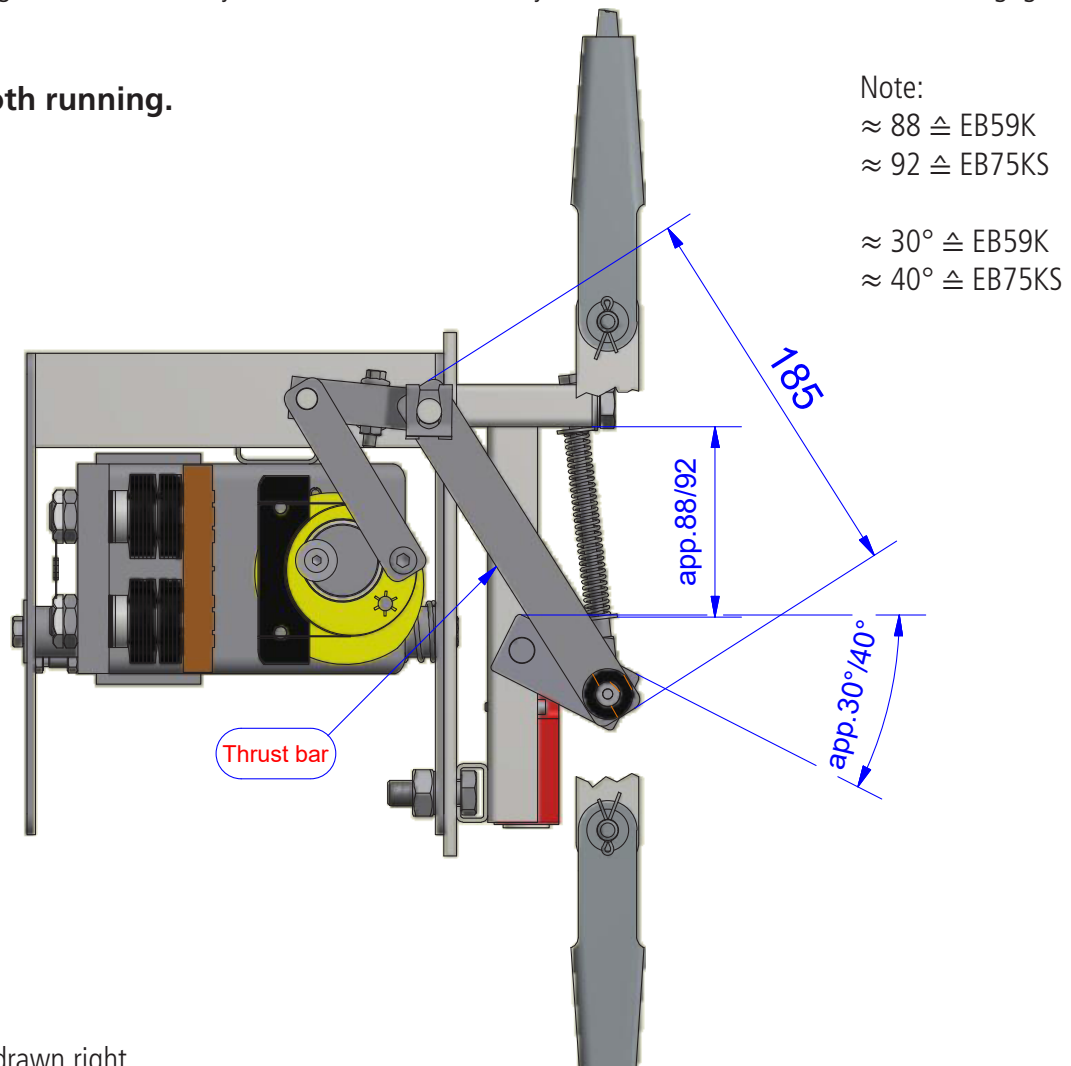


## Actuating gear GI22:

Hook in thrust bar „185“ and set/adjust screw M6x130 (spring) up to the indicated dimensions (notes!) and lock. **Avoid dead centre settings urgently!**

Set the switching cam in such a way, that it activates the safety switch, before the double eccentric engages on the rail.

**Ensure smooth running.**



Actuating gear drawn right  
Actuating gear left inversely

Conversion is carried out by moving the screw M6x130 to the second bore holder - conversion of all other positions is inevitable.